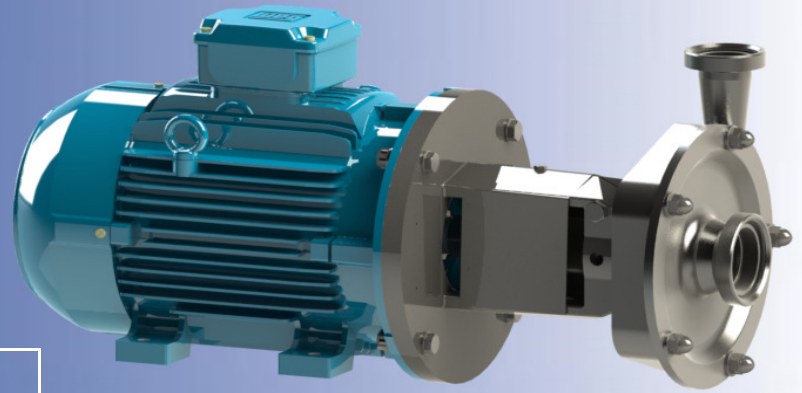


# Ampco Centrifugal Pumps

DATA SHEET

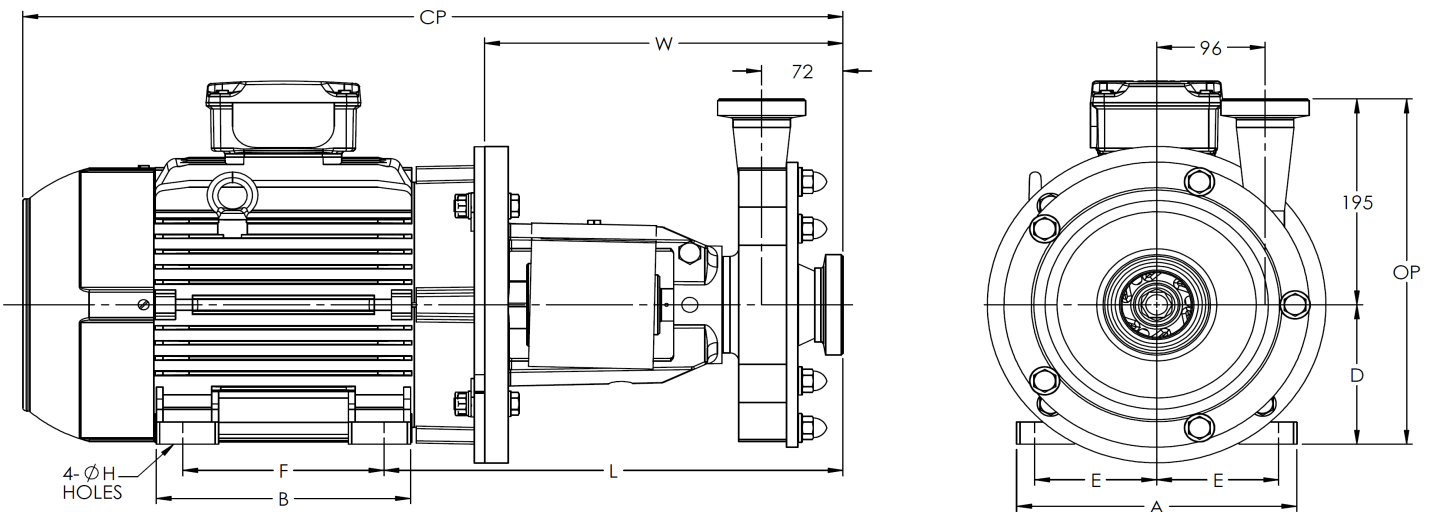
MODEL LM-R41 65 x 50

MODEL LM-R42 65 x 50



CE

Connections DIN 11851 thread



TEFC MOTOR			DIMENSIONS IN MILLIMETERS							(All Values For Reference Only) <small>Data subject to change without notice.</small>			MASS
kW	RPM	FRAME	A (typ)	B (typ)	D	E	F	ØH	L	W	CP	OP	Kg
.75kW	1450	80	149	125.5	80	62.5	100	10	273	223	470	275	34
1.1kW	1450	90S	164	131	90	70	100	10	279	223	470	285	37
1.5kW	1450	90L	164	156	90	70	125	10	279	223	470	285	41
2.2kW	1450	100L	188	173	100	80	140	12	310	247	507	295	58
5.5kW	2900	132S	248	187	132	108	140	12	406	317	726	327	89
7.5kW	2900	132S	248	187	132	108	140	12	406	317	726	327	89
11kW	2900	160M	308	254	160	127	210	14.5	425	317	805	355	159
15kW	2900	160M	308	254	160	127	210	14.5	425	317	805	355	160
18.5kW	2900	160L	308	298	160	127	254	14.5	425	317	805	355	179

## MATERIAL SPECIFICATIONS

PART NAME	STAINLESS STEEL
Casing, Cover & Impeller	316L Stainless
Stub Shaft	316L Stainless
Adapter	304 Stainless

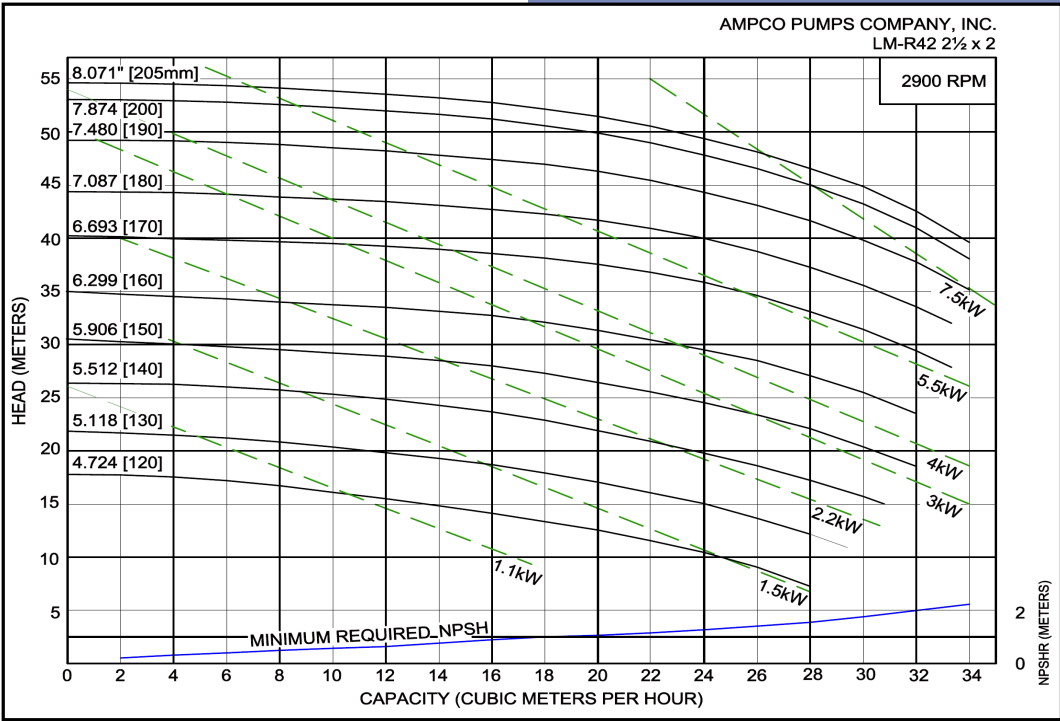
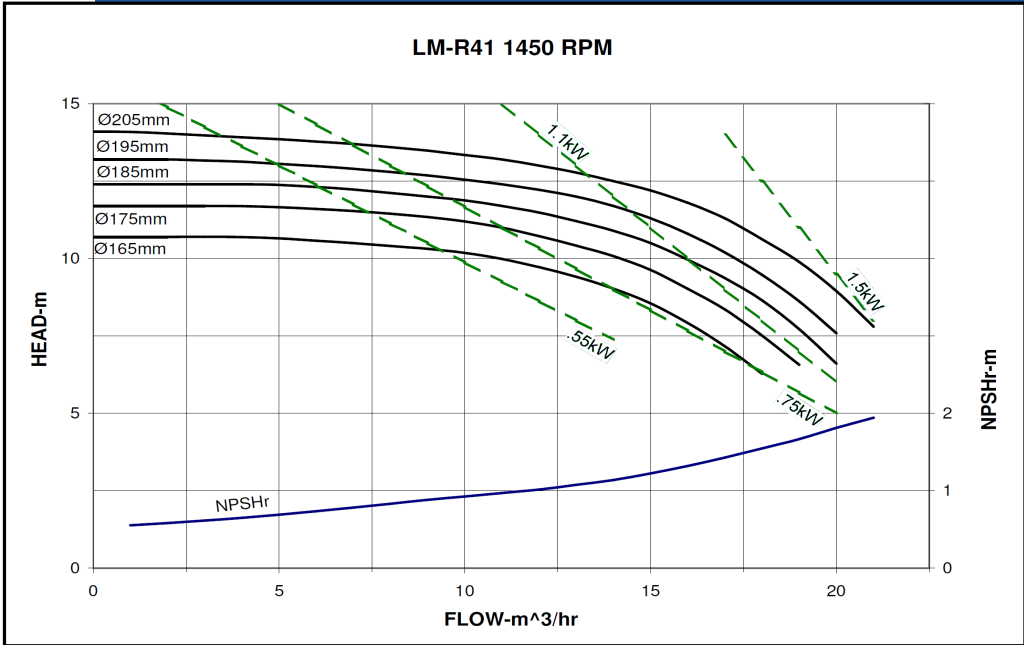
PUMP CURVES

MODEL LM-R41 65 x 50
MODEL LM-R42 65 x 50

# Ampco Centrifugal Pumps

Curves show approximate characteristics based on clear 20°C water. Rated point is guaranteed

LM-Series pumps have standard stainless steel adapters and silicon carbide vs. carbon seals.



LM pumps are in conformance with 3A sanitary standards for centrifugal and positive rotary pumps for milk and milk products, Number 02-10.

LM-Series pumps have a standard 0.8µm (micrometers) finish, on all product contact surfaces.

## Ampco Pumps Company

2045 West Mill Road  
 Glendale, Wisconsin 53209  
 PHONE (414) 643-1852  
 FAX (414) 643-4452

LM-R41/R42 65X50 01/11