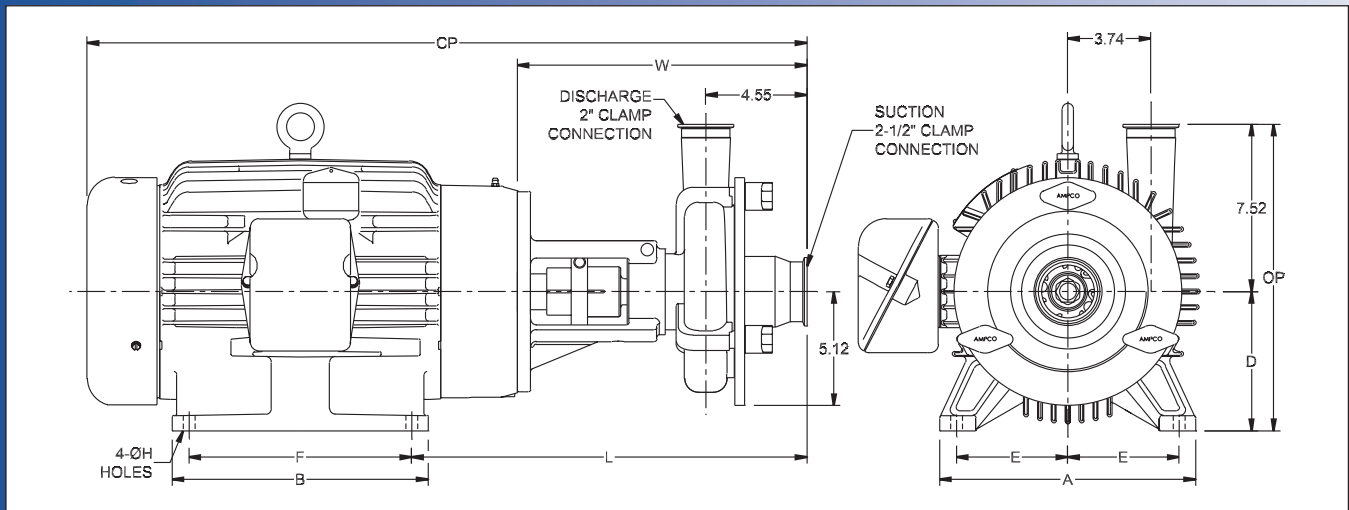
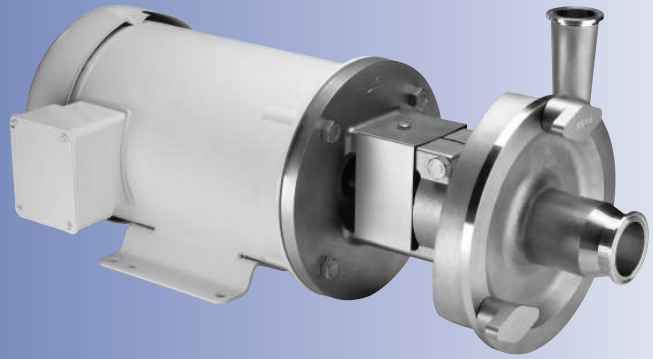


Ampco Centrifugal Pumps

DATA SHEET

MODEL LC-V531 2 1/2 X 2
MODEL LC-V532 2 1/2 X 2



TEFC MOTOR			DIMENSIONS IN INCHES (For Reference Only)										APPROX WEIGHT (LBS)
HP	RPM	FRAME	A (typ)	B (typ)	D	E	F	ØH	L	W	CP	OP	
1	1750	143TC	6-1/2	6	3-1/2	2-3/4	4	11/32	13.85	11.10	22.16	11.02	89
1-1/2	1750	145TC	6-1/2	6	3-1/2	2-3/4	5	11/32	13.85	11.10	22.16	11.02	95
2	1750	145TC	6-1/2	6	3-1/2	2-3/4	5	11/32	13.85	11.10	22.16	11.02	98
3	1750	182TC	8-5/8	6-1/2	4-1/2	3-3/4	4-1/2	13/32	15.41	11.91	25.60	12.02	128
5	1750	184TC	8-5/8	6-1/2	4-1/2	3-3/4	5-1/2	13/32	15.41	11.91	27.09	12.02	135
5	3500	184TC	8-5/8	6-1/2	4-1/2	3-3/4	5-1/2	13/32	15.41	11.91	25.59	12.02	185
7-1/2	3500	184TC	8-5/8	6-1/2	4-1/2	3-3/4	5-1/2	13/32	15.41	11.91	27.09	12.02	195
10	3500	215TC	9-1/2	8	5-1/4	4-1/4	7	13/32	16.16	11.91	27.18	12.77	310
15	3500	215TC	9-1/2	8	5-1/4	4-1/4	7	13/32	16.16	11.91	29.06	12.77	331
20	3500	256TC	11-1/2	11-1/2	6-1/4	5	10	17/32	17.78	13.03	32.37	13.77	458
25	3500	284TSC	12-3/4	12-3/4	7	5-1/2	9-1/2	17/32	19.10	14.35	37.48	14.52	469

MATERIAL SPECIFICATIONS

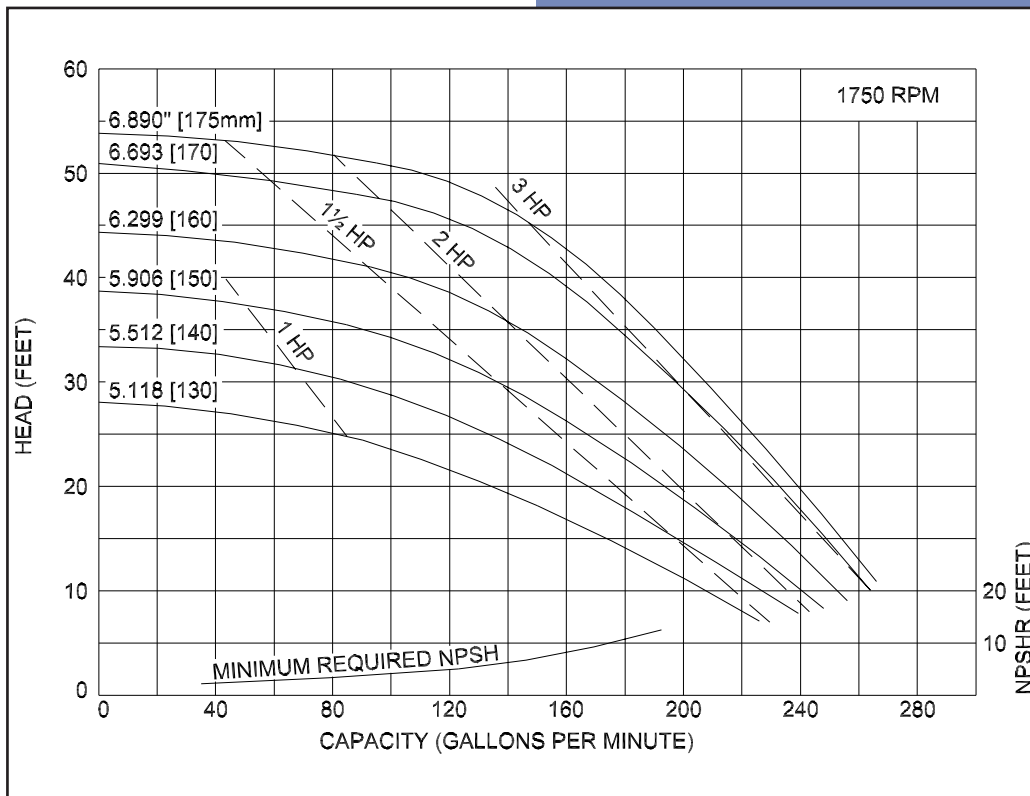
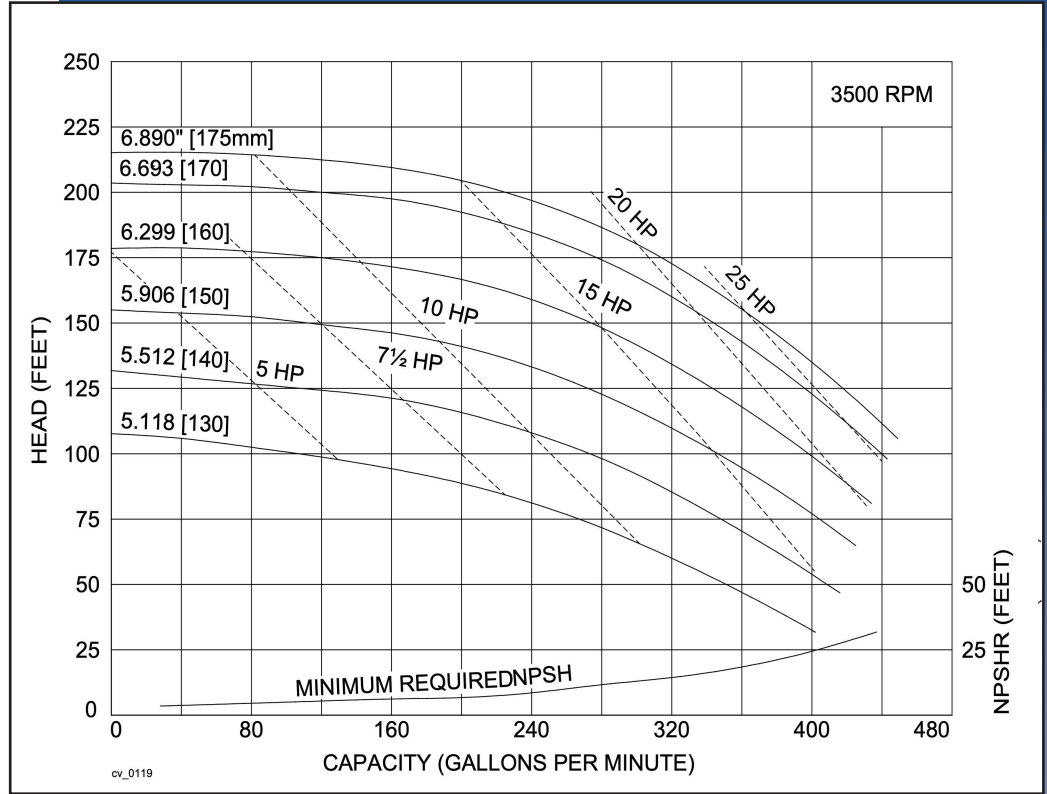
PART NAME	STAINLESS STEEL
Casing, Cover & Impeller	316L Stainless
Stub Shaft	316L Stainless
Adapter	304 Stainless

Ampco Centrifugal Pumps

MODEL LC-V531 2½X2
 MODEL LC-V532 2½X2

Curves show approximate characteristics based on clear 68° water. Rated point is guaranteed.

LC-Series pumps have standard stainless steel adapters and silicon carbide vs. carbon seals.



LC pumps are in conformance with 3A sanitary standards for centrifugal and positive rotary pumps for milk and milk products, Number 02-09.

LC-Series pumps have a standard 32RA (150 grit) finish, on all product contact surfaces.

Ampco Pumps Company

4424 West Mitchell Street
 Milwaukee, Wisconsin 53214
 PHONE (414) 643-1852
 FAX (414) 643-4452