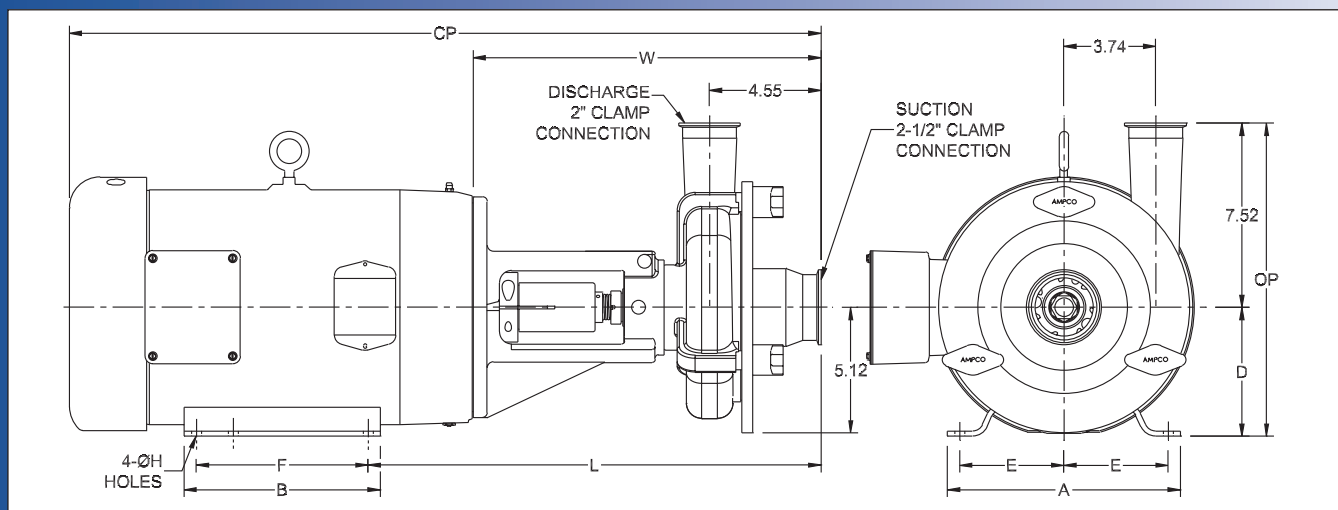
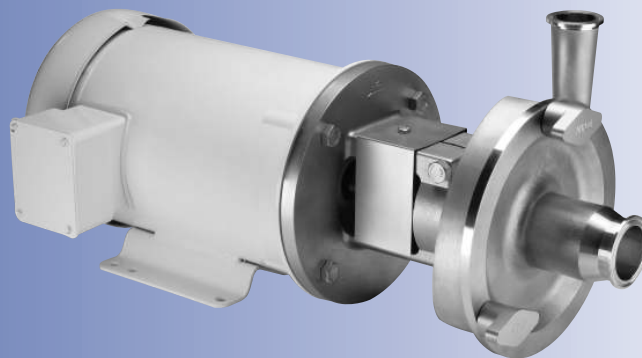


# Ampco Centrifugal Pumps

## DATA SHEET

MODEL LD-V531 2 1/2 X2  
MODEL LD-V532 2 1/2 X2



TEFC MOTOR			DIMENSIONS IN INCHES (For Reference Only)										APPROX WEIGHT (LBS)
HP	RPM	FRAME	A (typ)	B (typ)	D	E	F	ØH	L	W	CP	OP	
1	1750	143TC	6-1/2	6	3-1/2	2-3/4	4	11/32	16.92	14.17	25.23	11.02	92
1-1/2	1750	145TC	6-1/2	6	3-1/2	2-3/4	5	11/32	16.92	14.17	25.23	11.02	98
2	1750	145TC	6-1/2	6	3-1/2	2-3/4	5	11/32	16.92	14.17	25.23	11.02	101
3	1750	182TC	8-5/8	6-1/2	4-1/2	3-3/4	4-1/2	13/32	17.68	14.18	27.87	12.02	131
5	1750	184TC	8-5/8	6-1/2	4-1/2	3-3/4	5-1/2	13/32	17.68	14.18	29.36	12.02	138
5	3500	184TC	8-5/8	6-1/2	4-1/2	3-3/4	5-1/2	13/32	17.68	14.18	27.86	12.02	188
7-1/2	3500	184TC	8-5/8	6-1/2	4-1/2	3-3/4	5-1/2	13/32	17.68	14.18	29.36	12.02	198
10	3500	215TC	9-1/2	8	5-1/4	4-1/4	7	13/32	18.43	14.18	29.45	12.77	313
15	3500	215TC	9-1/2	8	5-1/4	4-1/4	7	13/32	18.43	14.18	31.33	12.77	334
20	3500	256TC	11-1/2	11-1/2	6-1/4	5	10	17/32	19.10	14.35	35.48	13.77	376
25	3500	284TSC	12-3/4	12-3/4	7	5-1/2	9-1/2	17/32	19.10	14.35	37.48	14.52	469

### MATERIAL SPECIFICATIONS

PART NAME	STAINLESS STEEL
Casing, Cover & Impeller	316L Stainless
Stub Shaft	316L Stainless
Adapter	304 Stainless

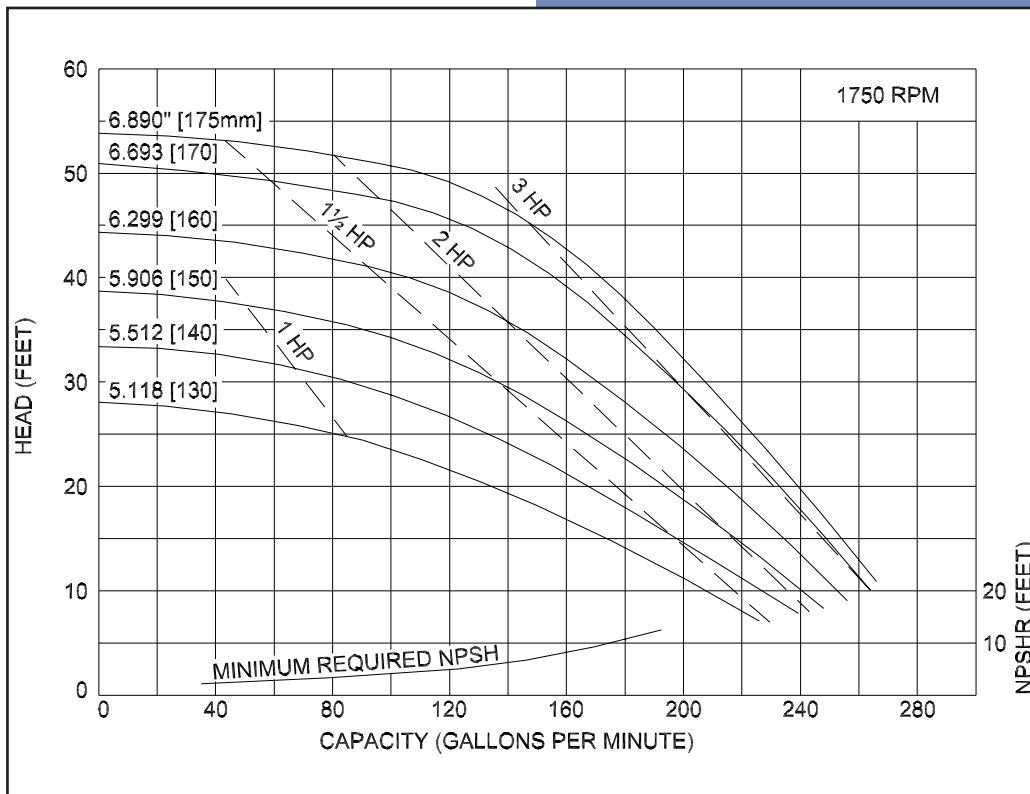
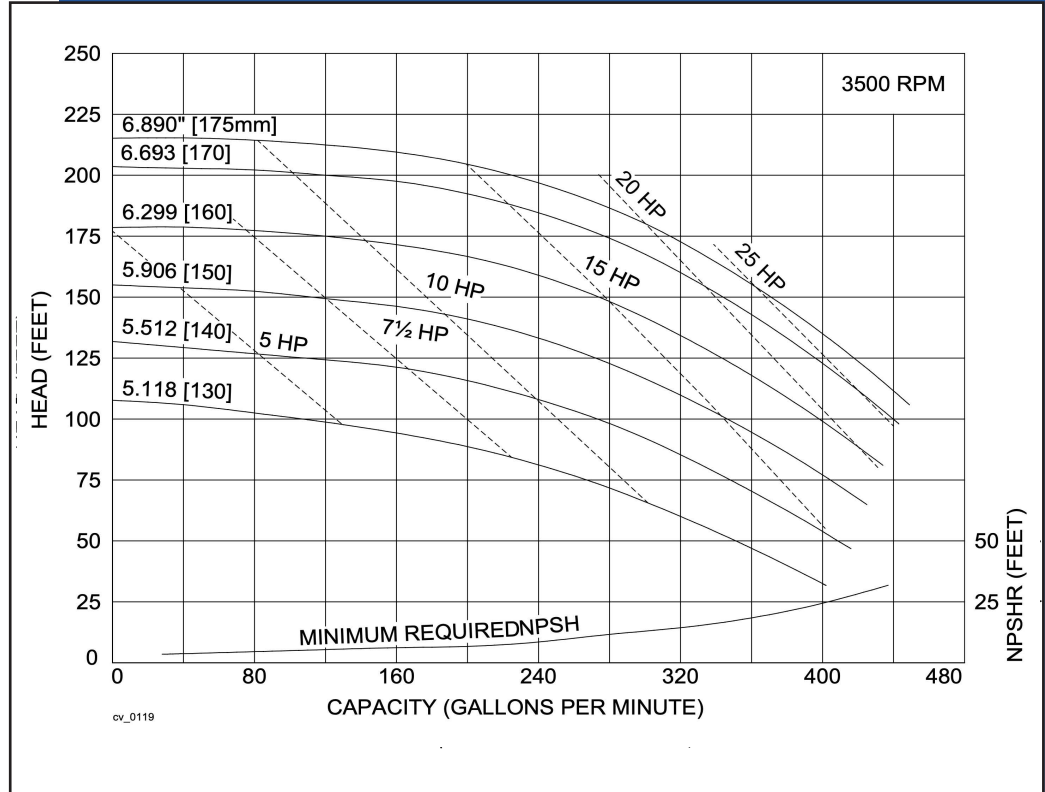


# Ampco Centrifugal Pumps

MODEL LD-V531 2 1/2 X2  
 MODEL LD-V532 2 1/2 X2

Curves show approximate characteristics based on clear 68° water. Rated point is guaranteed.

LD-Series pumps have standard stainless steel adapters and silicon carbide vs. carbon internal seals and carbon vs. ceramic external seals.



LD pumps are in conformance with 3A sanitary standards for centrifugal and positive rotary pumps for milk and milk products, Number 02-09.

LD-Series pumps have a standard 32RA (150 grit) finish, on all product contact surfaces.

## Ampco Pumps Company

4424 West Mitchell Street  
 Milwaukee, Wisconsin 53214  
 PHONE (414) 643-1852  
 FAX (414) 643-4452