

# Homogeniser HL1

- Max. 1 (gal/min)
- Homogenising pressure up to 10,153 PSI
- Optional aseptic function
- Poppet valve made for moderate viscosity and abrasive products
- Ball valves for high viscosity and high abrasive products
- Made in Germany

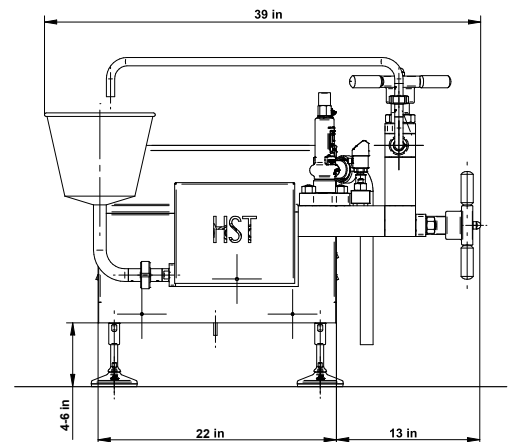


*Technical changes reserved!*

## Poppet valves

For low viscosity and slightly abrasive products

Machine Type	Max. Pressure	Max. Capacity
HL1.3	PSI	GPM
200 T	2,901	1
250 T	3,626	1
400 T	5,802	.7



## Ball valves

For high viscosity and abrasive products

Model	Max. Pressure	Max. Capacity
HL 1.2 and 1.3	PSI	GPM
200 K	2,901	.8
250 K	3,626	.7
400 K	5,802	.6
700 K	10,153	.2

