

# Homogenizer HL2.5

- Max. 12 (gal/min)
- Max. Homogenizing pressure up to 10,153 PSI
- Poppet valve and ball valve execution
- Max. motor power: 20 hp
- Weight with motor approx. 2,425 lbs
- Customized execution
- Optional in aseptic execution
- Designed and made in Germany

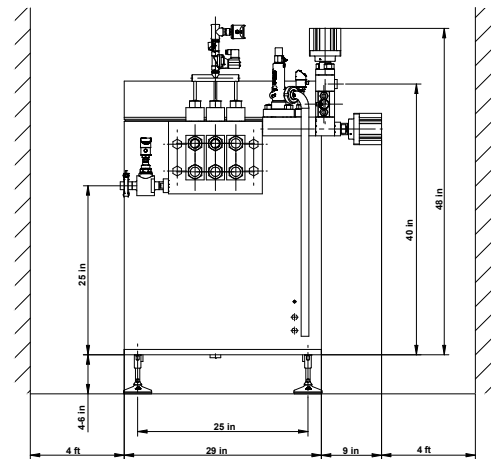
*Technical changes reserved!*



## Poppet valves

For low viscosity and slightly abrasive products

Model	Max. Pressure (PSI)	Max. Capacity (GPM)
HL2.5-140T	2,031	12
HL2.5-180T	2,611	9
HL2.5-200T	2,901	8
HL2.5-250T	3,626	7
HL2.5-300T	4,351	5
HL2.5-350T	5,076	4
HL2.5-550T	7,977	3



## Ball valves

For high viscosity and abrasive products

Model	Max. Pressure (PSI)	Max. Capacity (GPM)
HL2.5-150K	2,176	7
HL2.5-200K	2,901	5
HL2.5-250K	3,626	4
HL2.5-300K	4,351	3
HL2.5-350K	5,076	3
HL2.5-550K	7,977	2
HL2.5-700K	10,153	1

