

Homogenizer HL5

- Max. 170 (gal/min)
- Max. Homogenizing pressure up to 10,153 PSI
- Poppet valve and ball valve execution
- Max. motor power: 268 hp
- Weight with motor approx. 16,535 lbs
- Customized execution
- Control cabinet incl. PCL control and touchpanel
- Optional in aseptic execution with sterile water unit
- Designed and made in Germany

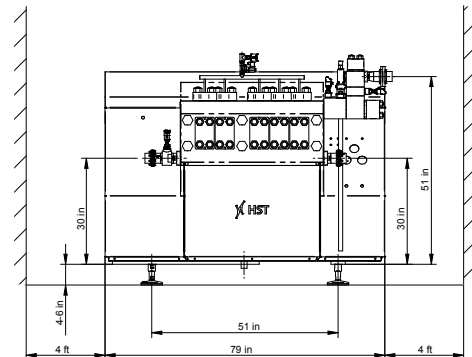


Technical changes reserved!

Poppet valves

For low viscosity and slightly abrasive products

Model	Max. Pressure (PSI)	Max. Capacity (GPM)
HL5-140T	2,031	170
HL5-180T	2,611	132
HL5-200T	2,901	114
HL5-250T	3,626	99
HL5-300T	4,351	84
HL5-350T	5,076	70
HL5-550T	7,977	42



Ball valves

For high viscosity and abrasive products

Model	Max. Pressure (PSI)	Max. Capacity (GPM)
HL5-150K	2,176	141
HL5-200K	2,901	110
HL5-250K	3,626	95
HL5-300K	4,351	81
HL5-350K	5,076	67
HL5-550K	7,977	39
HL5-700K	10,153	33

