

Homogenizer HLI55

- Max. 68 (gal/min)
- Max. Homogenizing pressure up to 10,153 PSI
- Poppet valve and ball valve execution
- Max. motor power: 74 hp
- Weight with motor approx. 5,732 lbs
- Customized execution
- Control cabinet incl. PCL control
- Optional in aseptic execution with sterile water unit
- Integrated lubrication system
- Lower ecological footprint
- Designed and made in Germany

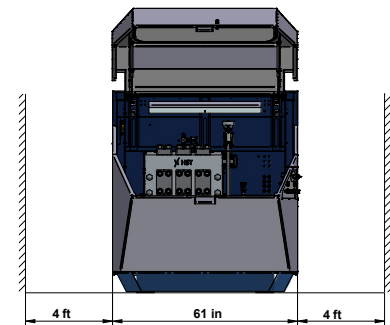


Technical changes reserved!

Poppet valves

For low viscosity and slightly abrasive products

Model	Max. Pressure (PSI)	Max. Capacity (GPM)
HLI55-100T	1,450	68
HLI55-150T	2,176	46
HLI55-200T	2,901	35
HLI55-250T	3,626	27
HLI55-300T	4,351	22
HLI55-350T	5,076	19
HLI55-550T	7,977	12



Ball valves

For high viscosity and abrasive products

Model	Max. Pressure (PSI)	Max. Capacity (GPM)
HLI55-150K	2,176	44
HLI55-200K	2,901	34
HLI55-300K	4,351	22
HLI55-400K	5,802	17
HLI55-550K	7,977	12
HLI55-700K	10,153	10

